



Quadrifoglio Group

X5

design office

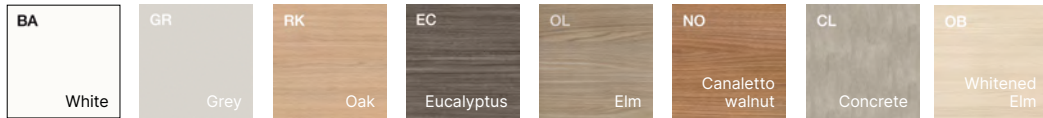
www.quadrifoglio.com



WORKTOPS

25mm easy to clean scratch-resistant anti-reflective melamine faced chipboard (MFC) finished with 2mm matching straight ABS impact resistant edges. Panel density: 670/730 kgs per cubic meter

Finish options:

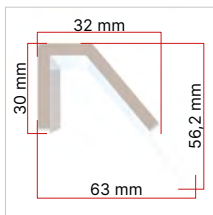


METAL FRAME

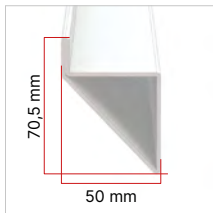
Epoxy powder coated steel frame.



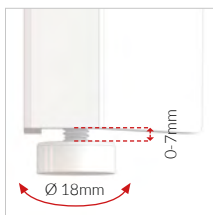
Finish options:



Tapered legs made of 4mm steel open sections, cross section tapers from 30×32mm (lower end) to 63×56.2mm (upper end)



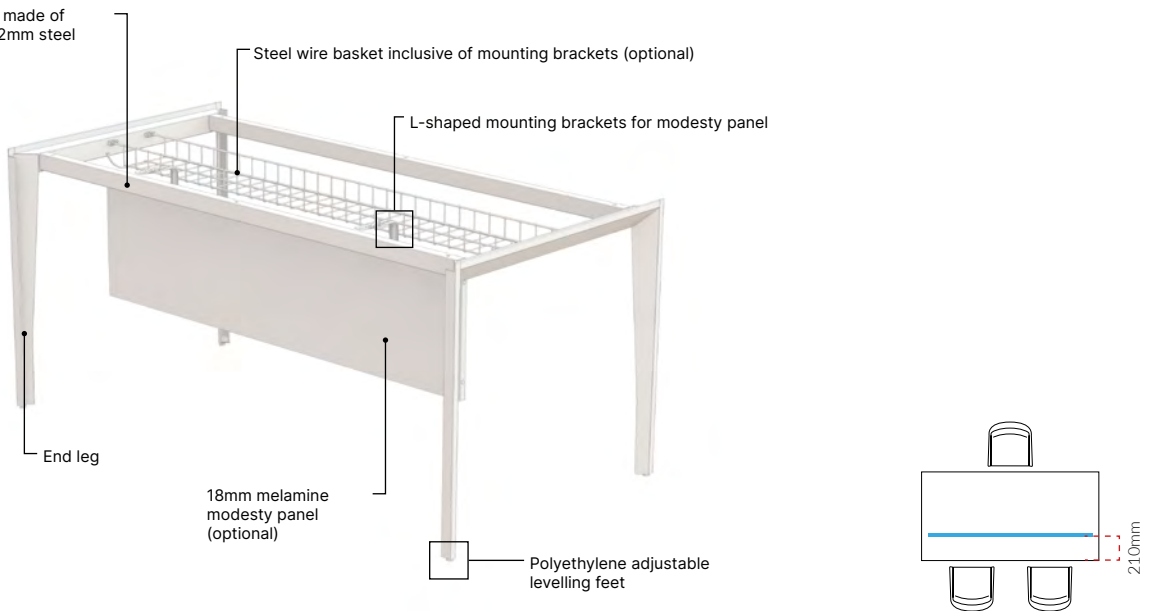
Crossbar between legs made of 50×70.5mm 2mm steel hollow tube, beams are fitted using steel brackets welded to crossbar



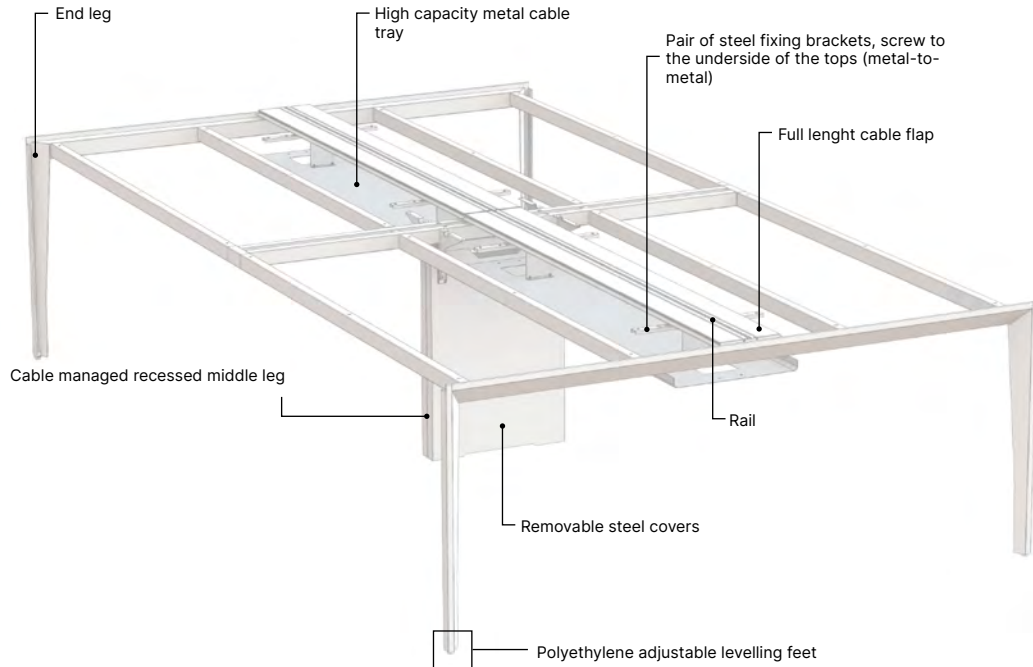
0-7mm adjustable levelling feet made of grey polyethylene, 18mm diameter

SINGLE DESKS

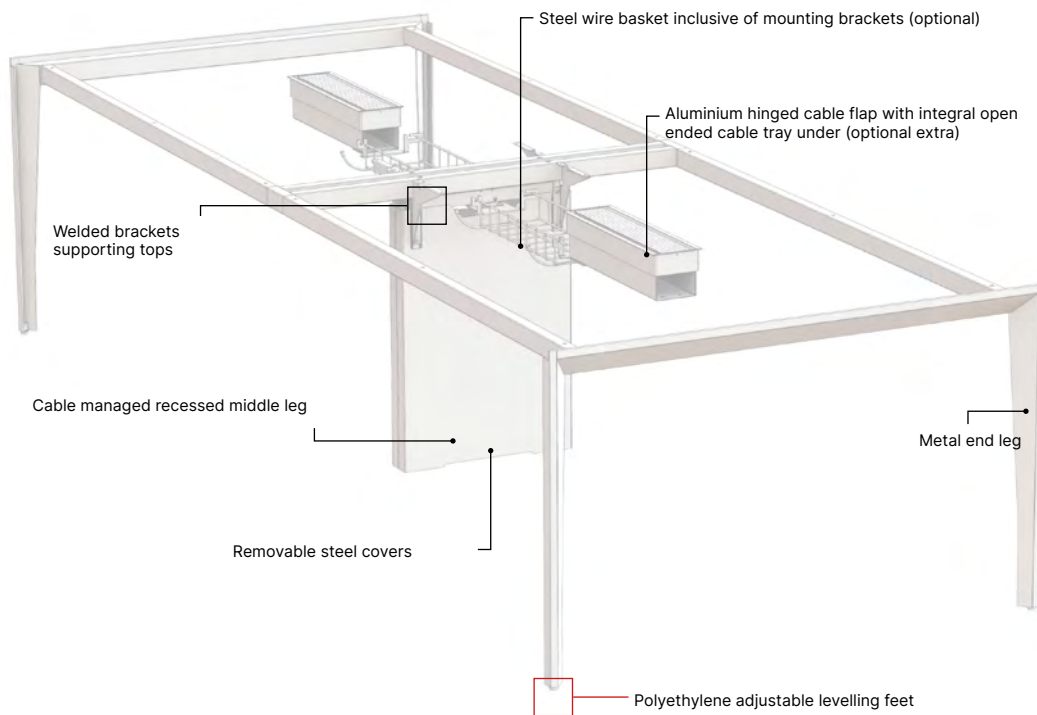
Desk beam made of 45x30mm 2mm steel tube



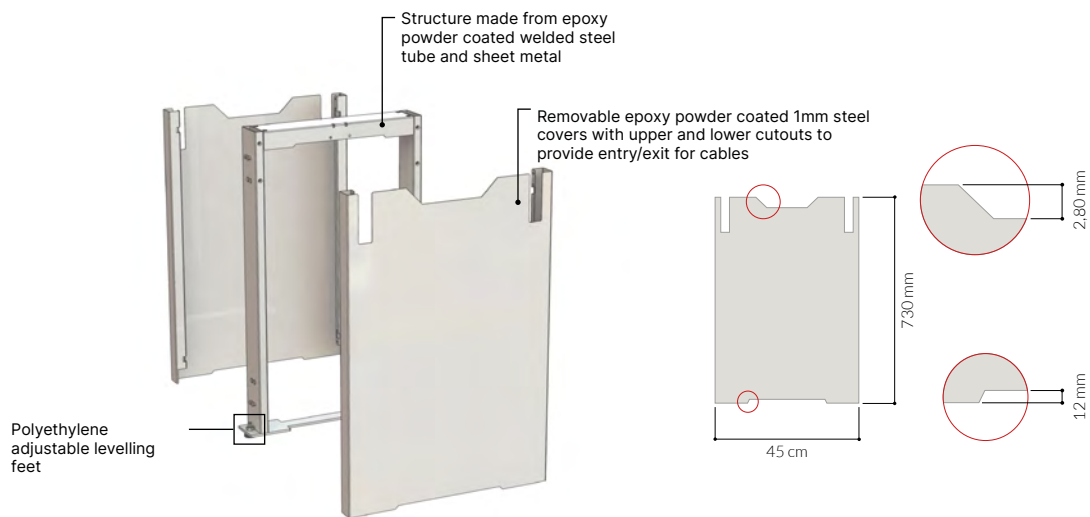
BENCH DEKS



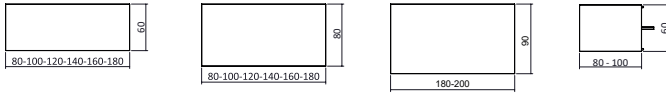
MEETING/BOARDROOM TABLES



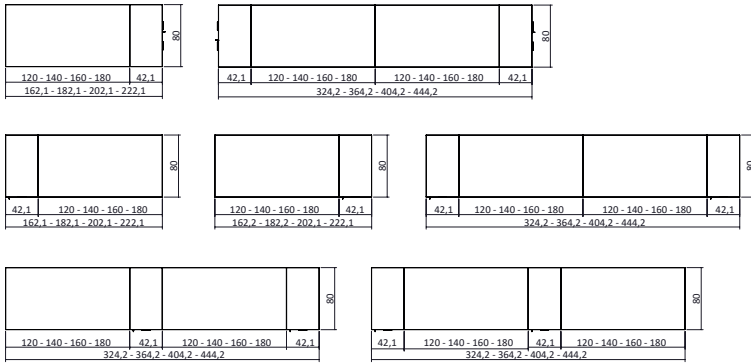
DETAIL: CABLE MANAGED MIDDLE LEG FOR BENCH DESKS AND TABLES



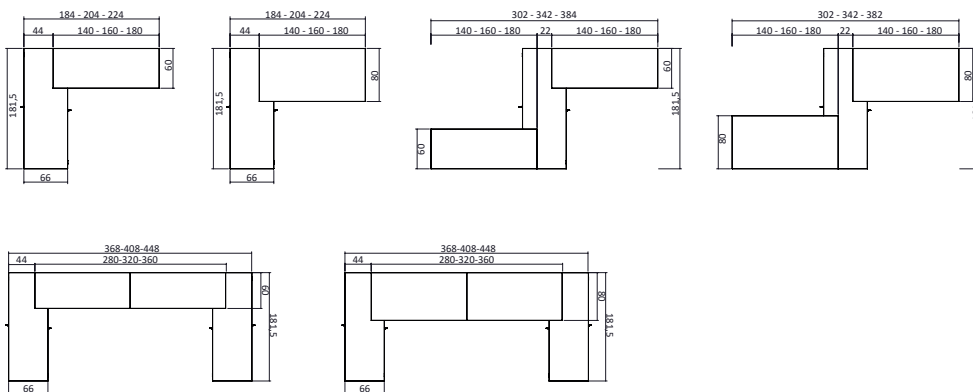
SINGLE DESKS



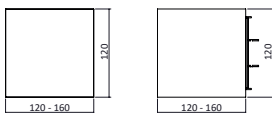
DESKS WITH INTEGRATED DESK HIGH CABINETS/PEDESTALS



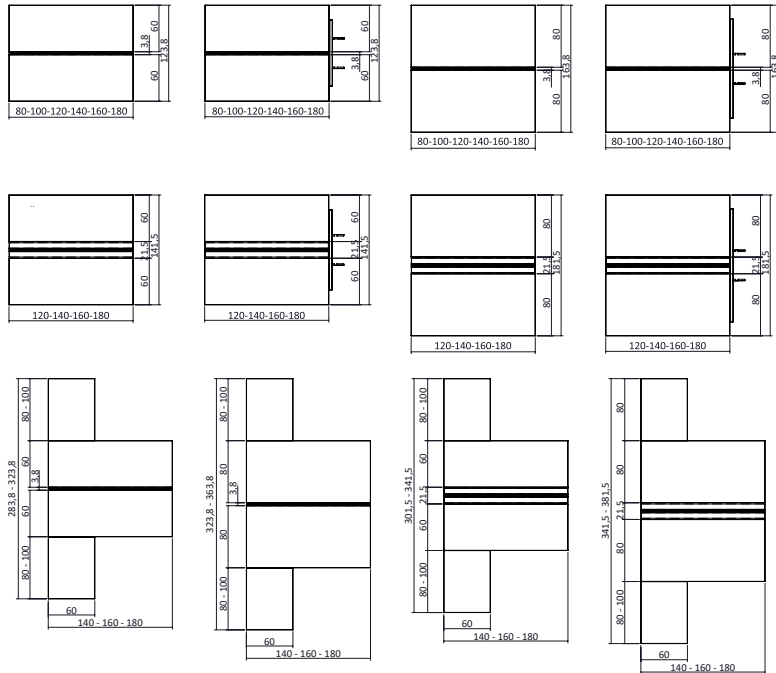
DESKS SUPPORTED ON LOW CREDENZA UNITS



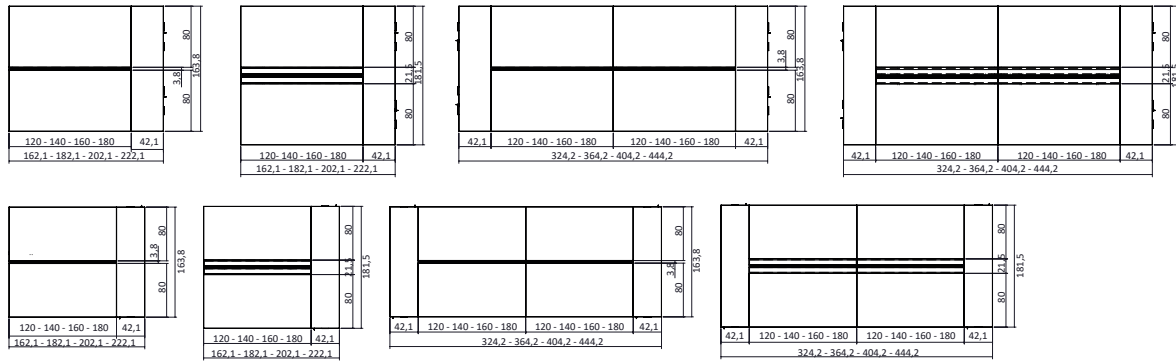
MEETING TABLES



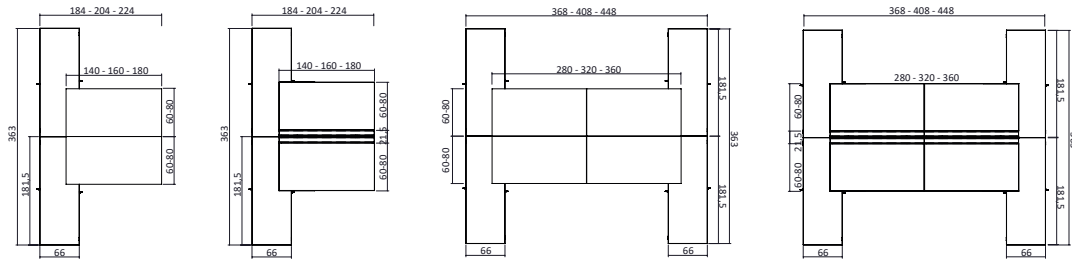
BENCH DESKS



BENCH DESKS WITH INTEGRATED DESK HIGH CABINETS/PEDESTALS



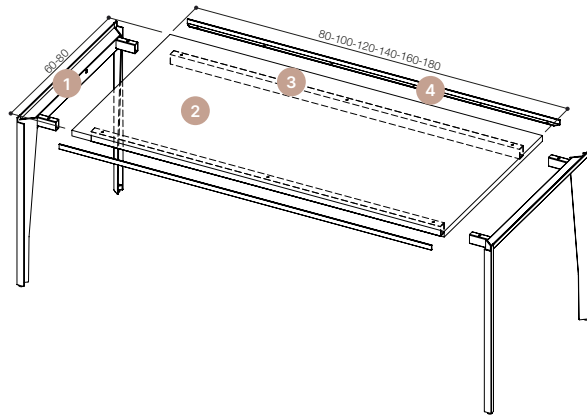
BENCH DESKS SUPPORTED ON LOW CREDENZA UNITS



INDIVIDUAL DESKS

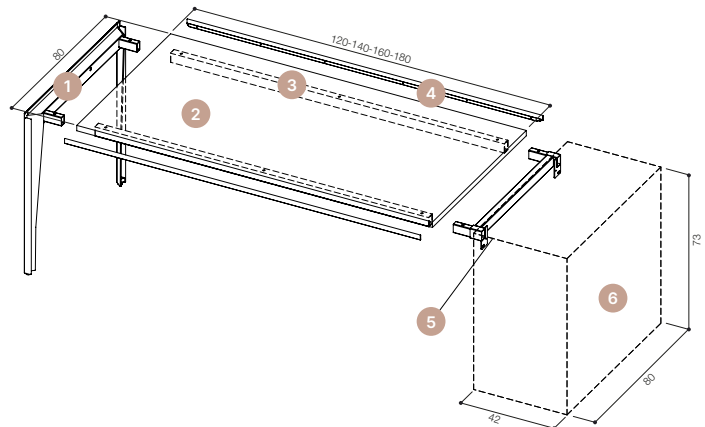
SINGLE DESK

- 1) X5 end legs welded to a crossbar
- 2) 25mm desktop
- 3) Static beams
- 4) L-shaped decorative metal profiles fixed to desktop



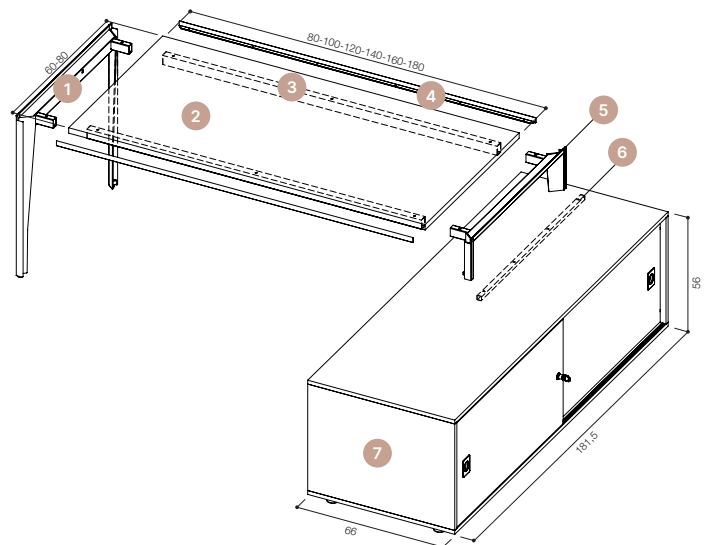
DESKS WITH INTEGRATED DESK HIGH CABINETS/PEDESTALS

- 1) X5 end legs welded to a crossbar
- 2) 25mm desktop
- 3) Static beams
- 4) L-shaped decorative metal profiles fixed to desktop
- 5) Crossbar linking the desk to the cabinet/pedestal
- 6) Integrated desk high cabinet/pedestal



DESK SUPPORTED ON A LOW CREDENZA UNIT

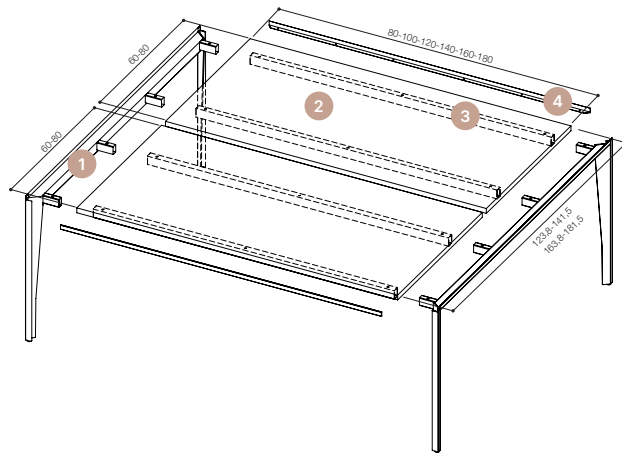
- 1) X5 end legs welded to a crossbar
- 2) 25mm desktop
- 3) Static beams
- 4) L-shaped decorative metal profiles fixed to desktop
- 5) X5 short leg supported on the low credenza unit
- 6) Metal beam to prevent bending of the credenza top
- 7) Low credenza unit



BENCHING

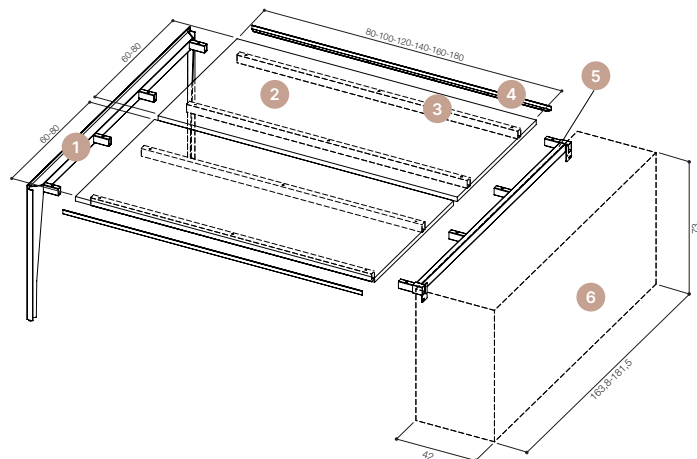
BENCH DESKS

- 1) X5 end legs welded to a crossbar
- 2) 25mm desktops
- 3) Static beams
- 4) L-shaped decorative metal profiles fixed to desktop



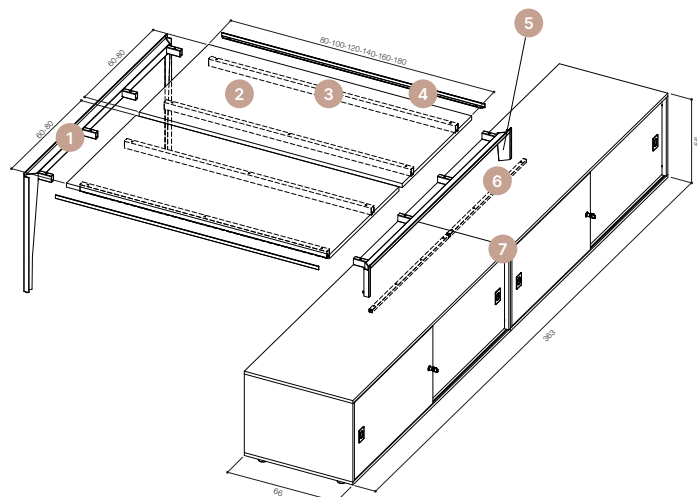
BENCH DESKS WITH INTEGRATED DESK HIGH CABINETS/PEDESTALS

- 1) X5 end legs welded to a crossbar
- 2) 25mm desktops
- 3) Static beams
- 4) L-shaped decorative metal profiles fixed to desktop
- 5) Crossbar linking the bench to the cabinet/pedestal
- 6) Pair of integrated desk high cabinets/pedestals



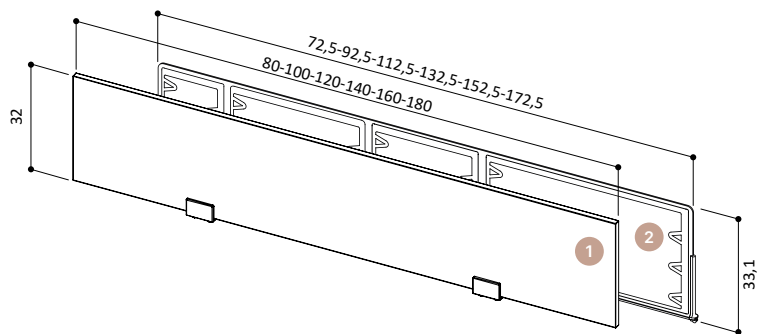
BENCH DESK SUPPORTED ON LOW CREDENZA UNITS

- 1) X5 end legs welded to a crossbar
- 2) 25mm desktops
- 3) Static beams
- 4) L-shaped decorative metal profiles fixed to desktop
- 5) X5 short leg supported on the low credenza units
- 6) Metal beams to prevent bending of the credenza top
- 7) Low credenza units

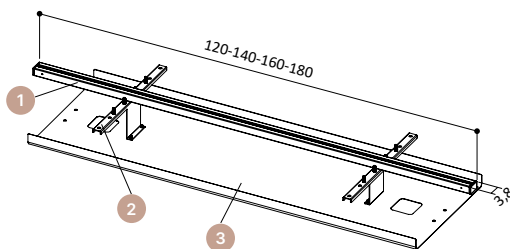


FRAMELESS SCREENS SUPPORTED ON DESK RAIL, CABLE MANAGEMENT

- 1) Melamine frameless screen / fabric covered frameless screen / etched glass frameless screen - includes two U-shaped mounting brackets for fitting to desk rails
- 2) Acoustic frameless screen made of fabric covered thermoformed polyester fibre - includes two mounting brackets for fitting to desk rails

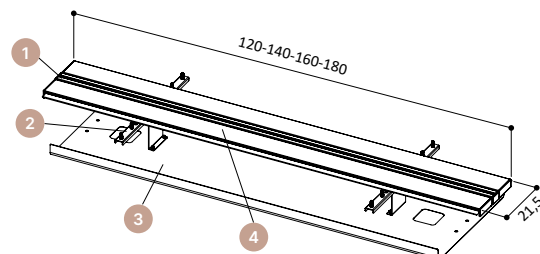
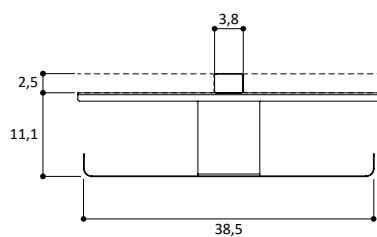


OPTIONS FOR SINGLE & BENCH DESKS (A FRAMELESS SCREEN MAY BE OPTIONALLY FITTED TO THE RAIL)



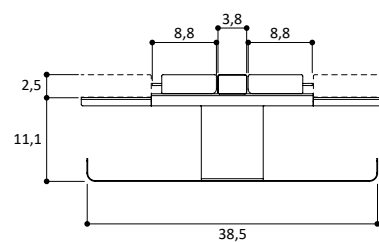
Metal rail with high capacity cable tray for bench desks with 38mm middle gap

- 1) Rail
- 2) Pair of steel fixing brackets, screw to the underside of the tops (metal-to-metal)
- 3) High capacity metal cable tray



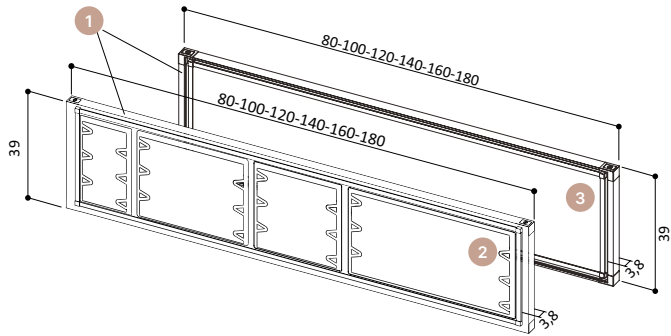
Metal rail with two full length flaps and high capacity cable tray for bench desks with 215mm middle gap

- 1) Rail
- 2) Pair of steel fixing brackets, screw to the underside of the tops (metal-to-metal)
- 3) High capacity metal cable tray
- 4) Full length cable flaps



FRAMED SCREENS AND CABLE MANAGEMENT

- 1) Aluminium frame
- 2) Acoustic framed screen, surface made of fabric covered acoustic thermoformed polyester fibre
- 3) Regular framed screens feature six surface options:
 - 8mm MFC panel;
 - fabric covered honeycomb core sandwiched between MDF panels;
 - 8mm wood effect melamine faced chipboard (MFC);
 - 8mm plywood core sandwiched between acoustic polyurethane foam sheets, fabric covered;
 - translucent pinstriped polycarbonate;
 - translucent matt white acrylic.



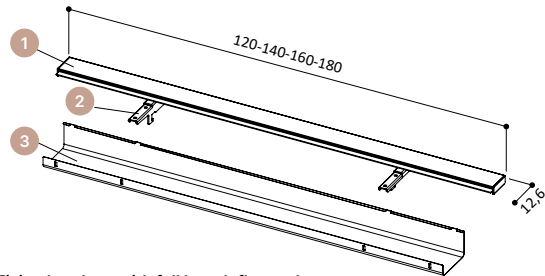
OPTIONS FOR SINGLE & BENCH DESKS (A FRAMED SCREEN IS REQUIRED IN ALL SCENARIOS)



Fixing brackets when no cable management is required

- 1) Pair of steel fixing brackets for framed screens, screw to the underside of the top (metal-to-metal fixing)

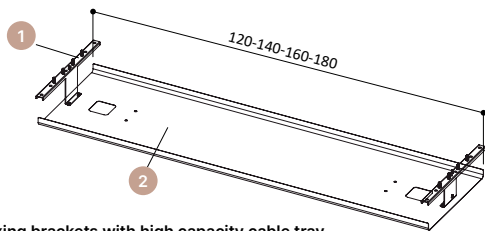
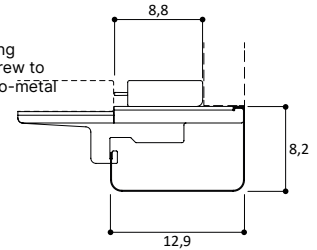
Note: framed screen required



Fixing brackets with full length flap and cable tray for single desks

- 1) Full length cable flap
- 2) Pair of steel fixing brackets holding framed screen and cable tray, screw to the underside of the top (metal-to-metal fixing)
- 3) Metal cable tray

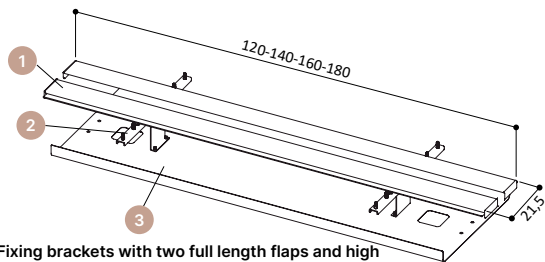
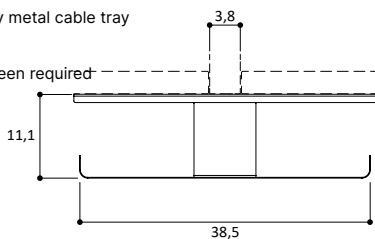
Note: framed screen required



Fixing brackets with high capacity cable tray for bench desks with 38mm middle gap

- 1) Pair of steel fixing brackets holding framed screen and high capacity cable tray, screw to the underside of the top (metal-to-metal fixing)
- 2) High capacity metal cable tray

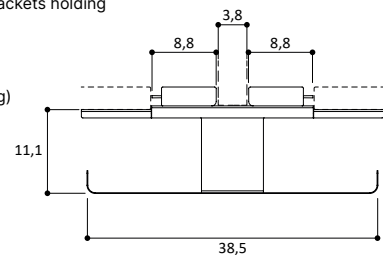
Note: framed screen required



Fixing brackets with two full length flaps and high capacity cable tray for bench desks with 215mm middle gap

- 1) Full length cable flaps
- 2) Pair of steel fixing brackets holding framed screen and high capacity cable tray, screw to the underside of the top (metal-to-metal fixing)
- 3) High capacity metal cable tray

Note: framed screen required





Ø60mm ABS grommet



Aluminium cable flap with open ended cable tray under



PVC cable tray (optional extra)



Silver effect steel wire basket inclusive of mounting brackets



High capacity metal cable tray for bench desks



Metal tower for vertical cable management



Translucent ABS cable spine



Peel-and-stick translucent polycarbonate cable riser



"Strap" CPU holder



Tool bar and trays/pen pots



Melamine modesty panel



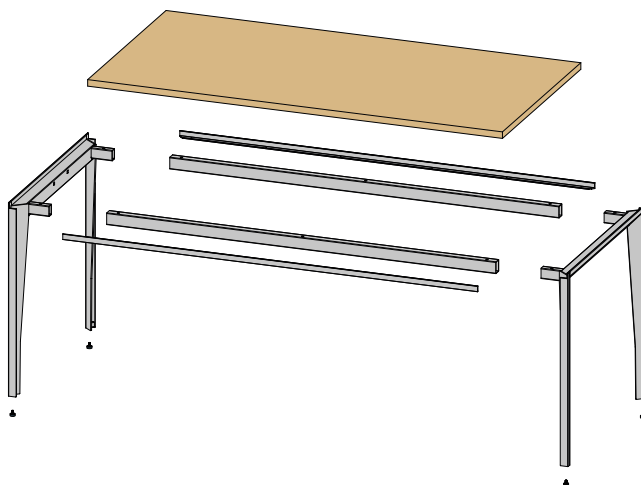
MATERIALS AND RECYCLABILITY

Panels used on X5 range are exclusively 100% made by recycled wood and respect low formaldehyde emission (CATAS certification Quality Award CARB). Resins used on panels and melamine paper are SVHC substances free (reported on ECHA list update to 12/01/2017)

DESK WITH METAL FRAME

POST-CONSUMER RECYCLABLE

Wood	100%
Plastic	100%
Metal	100%
Mixed	If disposed of in a specialised facilities





STANDARDS

X5 range has passed the following tests, attested by **CATAS** analysis laboratory in San Giovanni al Natisone (UD).

- Tables and desks dimensions EN 527-1:2011
- Office work tables: safety requirements EN 527-2:2016+A1:2019 clause 4.1 - 4.2
- Office work tables: information for use EN 527-2:2016+A1:2019, clause 6
- Horizontal static load test EN 1730:2012, clause 6.2
- Vertical static load test EN 1730:2012, clause 6.3
- Horizontal fatigue test EN 1730:2012, clause 6.4.2
- Stiffness of the structure EN 1730:2012, clause 6.4.3
- Vertical fatigue test EN 1730:2012, clause 6.5
- Vertical impact test EN 1730:2012, clause 6.6
- Worktops bend EN 1730:2012, clause 6.7
- Drop test EN 1730:2012, clause 6.9
- Stability under vertical load EN 1730:2012, clause 7.2
- Legs impact UNI 9086:1987



CERTIFICATES

Constantly receptive to market requirements, Quadrifoglio Sistemi d'Arredo pay special attention on quality and safety contents in order to provide high products and services. The Company has reached certifications UNI EN ISO 9001/2015, UNI EN ISO 14001/2015 and UNI EN ISO 45001/2018 to confirm his policy. Our products are certified and ensured by FSC™ and ECOLOGICAL PANEL.

COMPANY WITH
MANAGEMENT SYSTEM
CERTIFIED BY DNV
ISO 9001 • ISO 14001
ISO 45001



GREEN ENERGY

The Company had installed the photovoltaic system with 4.500 solar panels in a 7.350 m² surface that covers almost entirely the factory. The photovoltaic is able to produce 1Mw of a quiet green energy, that does not harm the environment and is waste-free. With his high production capacity the photovoltaic allows us to reduce emissions in the atmosphere of all those polluting substances and to those that contribute to the greenhouse effects. Consequently, such measures make us save every year 180 tonne of petrol oil, 440 tonne of CO₂, 514kg of sulphur dioxide, 448 kg of nitrogen oxide and 23kg of dust.



TRANSPORT

Packaging is reduced in order to decrease volumes. Goods collections are responsibly managed and organised with the aim of optimise transports, reducing atmosphere emissions.