

LIBRERIA

design office



STRUCTURE

38mm easy to clean scratch-resistant anti-reflective melamine faced chipboard (MFC) side panels and shelves finished with 2mm matching straight ABS impact resistant edges. Shelves are fitted using provided concealed shelf supports enabling the shelves to be height adjustable in 32mm increments. Height adjustable levelling feet and bottom plinth in anodized aluminium.

BACK PANEL

18mm easy to clean scratch-resistant anti-reflective melamine faced chipboard (MFC) back panels finished with 1mm matching straight ABS impact resistant edges.

At least one 860mm wide back panel or alternatively two 430mm wide back panels are mandatory for any Libreria configuration to ensure stability and avoid wobbling.

Finish options:



Production lead time: 5 weeks excluding delivery time. Apart from the shown finish options any RAL color can be made to order.

MFC HINGED DOORS

18mm easy to clean scratch-resistant anti-reflective melamine faced chipboard (MFC) doors finished with 1mm matching straight ABS impact resistant edges. Height/width/depth adjustable anti-corrosion treated metal hinges allowing 105° door opening. Doors can be supplied with or without lock except 450H small doors which always come non-locking. When a lock is available two safety folding keys with plastic head are supplied.

Finish options:



Production lead time: 5 weeks excluding delivery time. Apart from the shown finish options any RAL color can be made to order.

LEATHER COVERED HINGED DOORS

18mm melamine faced chipboard (MFC) finished with matching straight melamine edges. The door is covered with 1.3mm abrasion resistant leather finished with matching decorative stitching along the perimeter of the panel. Height/width/depth adjustable anti-corrosion treated metal hinges allowing 105° door opening.

Doors can be supplied with or without lock except 450H small doors which always come non-locking. When a lock is available two safety folding keys with plastic head are supplied.

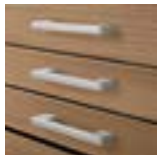
Finish options:



Production lead time: 5 weeks excluding delivery time.

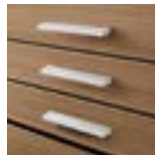
HANDLES FOR MFC HINGED DOORS

Standard ABS handle
Look



Silver (J)
White (JB)
Anthracite (JR)

Optional metal handles
Zen

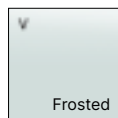


Silver (Z)
White (A)
Anthracite (Q)
Chrome (Y)

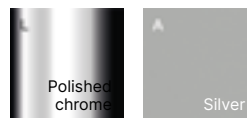
FRAMED GLASS HINGED DOORS

4mm tempered translucent white glass framed hinged doors, the aluminium frame is supplied in an anodized silver finish as standard and chrome effect polished at a surcharge. Height/width/depth adjustable anti-corrosion treated metal hinges allowing 105° door opening. Doors can be supplied with or without lock except 450H small doors which always come non-locking. When a lock is available two safety folding keys with plastic head are supplied. ABS handle painted in a matching finish.

Glass finish
options:



Frame finish
options:

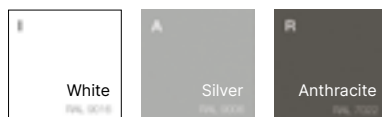


LADDER

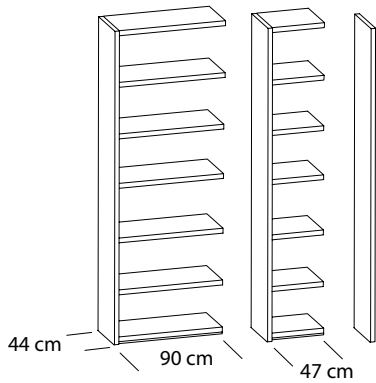
Fabricated from epoxy powder coated steel tube, ABS safety shoes. The ladder hooks on epoxy powder coated steel rails fitted to the edge of the MFC shelves, rails are supplied in a matching finish to the ladder.

Please note: the shelves provided with rail are 27mm less deep than standard shelves, doors may not be fitted immediately underneath the rail.

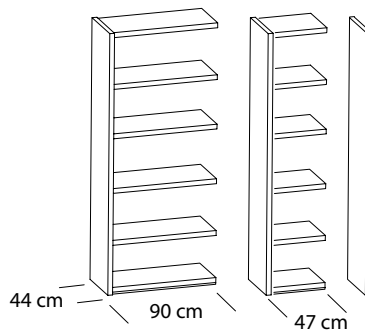
Finish options:



256cm high



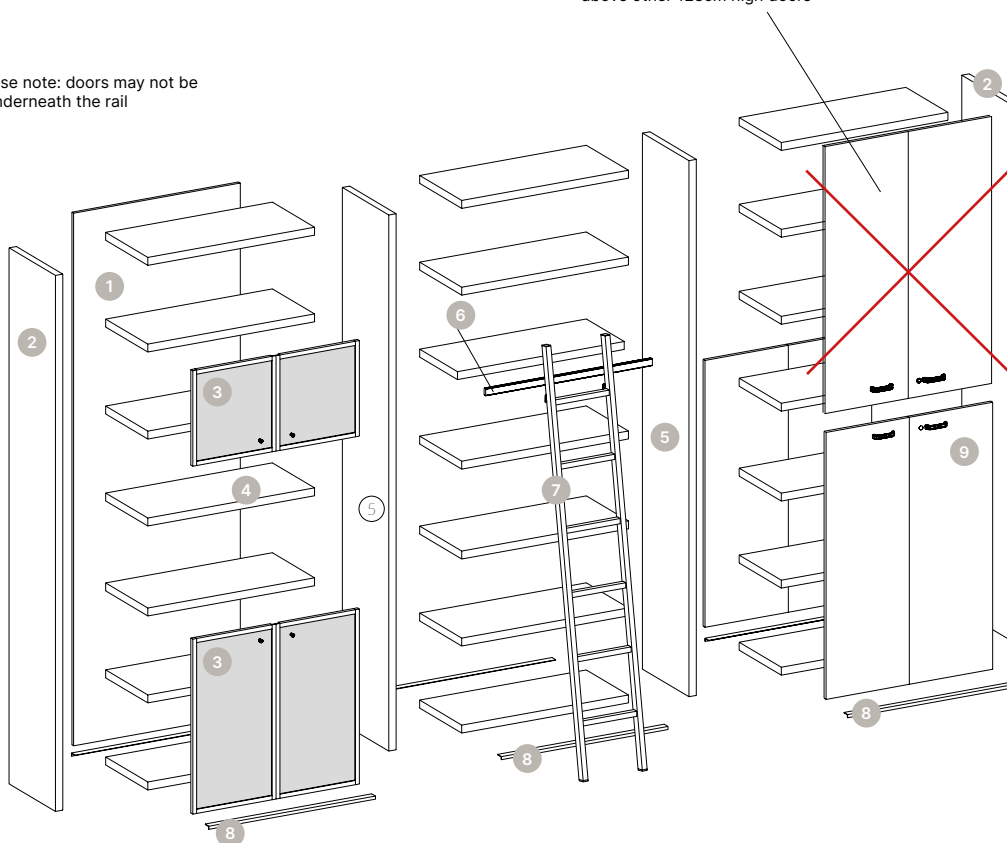
215cm high



Technical features

- 1) Back panel
- 2) Side panel
- 3) Framed glass door
- 4) Shelf
- 5) Middle panel
- 6) Rail for ladder - please note: doors may not be fitter immediately underneath the rail
- 7) Ladder
- 8) Plinth
- 9) MFC door

Please note: 128cm high doors may not be fitted above other 128cm high doors





Ladder



MATERIALS AND RECYCLABILITY

Panels used on Libreria range are exclusively 100% made by recycled wood and respect low formaldehyde emission (CATAS certification Quality Award CARB). Resins used on panels and melamine paper are SVHC substances free (reported on ECHA list update to 12/01/2017)



CERTIFICATIONS

Constantly receptive to market requirements, Quadrifoglio Sistemi d'Arredo pay special attention on quality and safety contents in order to provide high products and services. The Company has reached certifications UNI EN ISO 9001/2008, UNI EN ISO 14001/2004 and BS OHSAS 18001/2007 to confirm his policy. Our products are certified and ensured by FSC™ and ECOLOGICAL PANEL.



GREEN ENERGY

The Company had installed the photovoltaic system with 4.500 solar panels in a 7.350 m² surface that covers almost entirely the factory. The photovoltaic is able to produce 1Mw of a quiet green energy, that does not harm the environment and is waste-free. With his high production capacity the photovoltaic allows us to reduce emissions in the atmosphere of all those polluting substances and to those that contribute to the greenhouse effects. Consequently, such measures make us save every year 180 tonne of petrol oil, 440 tonne of CO₂, 514kg of sulphur dioxide, 448 kg of nitrogen oxide and 23kg of dust.



TRANSPORT

Packaging is reduced in order to decrease volumes. Goods collections are responsibly managed and organised with the aim of optimise transports, reducing atmosphere emissions.