

CREO

design office



TOPS

30 mm melamine faced chipboard (MFC) finished with 2 mm matching straight ABS impact resistant edges, easy to clean scratch-resistant anti-reflective melamine. MFC density 670/730 kgs per cubic meter.

Finish options:



METAL FRAMES

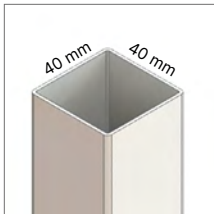
Legs are made of 40×40mm 1.5mm thick steel tube and are linked together by two upper 60×30mm 1.0mm steel tubular beams. Legs and beams are supplied epoxy powder painted. At the bottom footrests for those sitting at the table ends are welded to the legs and linked together by a long beam serving the same purpose as a footrest for those sitting at either side. Acting as structural elements footrests are made of epoxy powder painted 30×30mm 1.5mm steel tube coated with protective 0.8mm stainless steel.



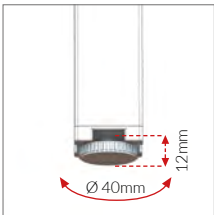
Finish options:



Beams are always supplied in a silver finish.



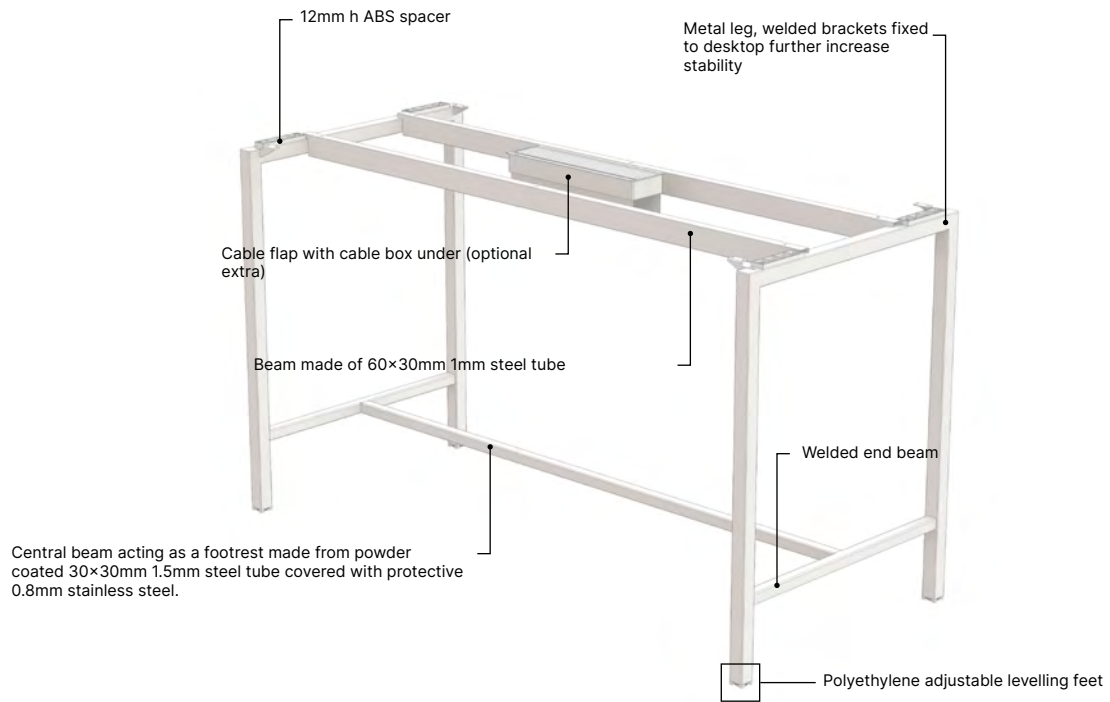
Leg made of 40×40mm 1.5mm steel tube.



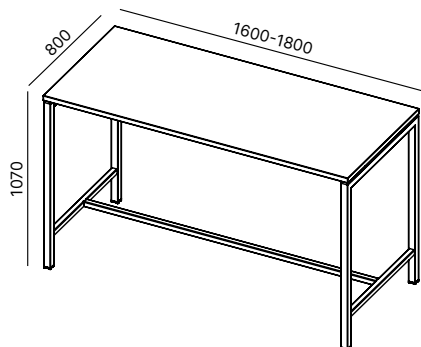
0-12mm adjustable levelling feet made of polyethylene, 40mm diameter.



CREO TABLE



SIZES





MATERIALS AND RECYCLABILITY

MFC panels used for Creo range tables are solely manufactured with 100% recycled wood and fully meet requisites of formaldehyde low emissions (CARB Quality Award CATAS Certificate). Resins used for panels and melamines are free of SVHC substances (to be found in the ECHA list updated as of 12/01/2017).



CERTIFICATES

Constantly receptive to market requirements, Quadrifoglio Sistemi d'Arredo pay special attention on quality and safety contents in order to provide high products and services. The Company has reached certifications UNI EN ISO 9001/2015, UNI EN ISO 14001/2015 and UNI EN ISO 45001/2018 to confirm his policy. Our products are certified and ensured by FSC™ and ECOLOGICAL PANEL.

COMPANY WITH
MANAGEMENT SYSTEM
CERTIFIED BY DNV
ISO 9001 • ISO 14001
ISO 45001



GREEN ENERGY

The Company had installed the photovoltaic system with 4.500 solar panels in a 7.350 m² surface that covers almost entirely the factory. The photovoltaic is able to produce 1Mw of a quiet green energy, that does not harm the environment and is waste-free. With his high production capacity the photovoltaic allows us to reduce emissions in the atmosphere of all those polluting substances and to those that contribute to the greenhouse effects. Consequently, such measures make us save every year 180 tonne of petrol oil, 440 tonne of CO₂, 514kg of sulphur dioxide, 448 kg of nitrogen oxide and 23kg of dust.



TRANSPORT

Detachable systems. Volumes that facilitate the optimization of space. Maximum reduction of energy consumption by transport.