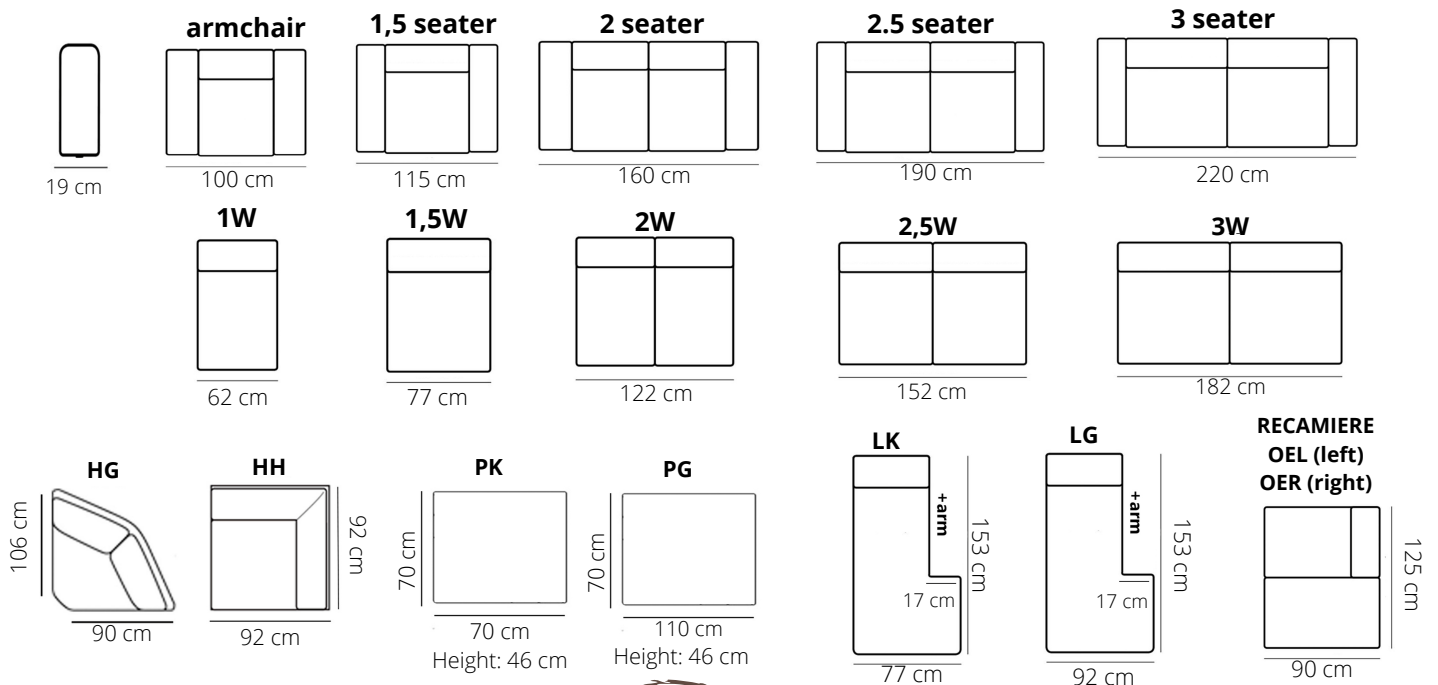


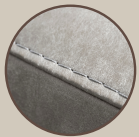
VIRGINIA



ELEMENTS



STITCHING



flat stitching

LEGS



P in ALU



RT in:



varnished
or
brut



dark wood



black

HEIGHT: 83 cm
DEPTH: 90 cm
SEAT DEPTH: 57 cm
SEAT HEIGHT: 44 cm
ARM HEIGHT: 60 cm

PRODUCT INFO

FRAME



beechwood



chipboard

FILLING

BACK



foam HR 23



fibre wool



elastic belts

SEAT



foam HR 35



fibre wool



no-sag springs

SUSPENSION