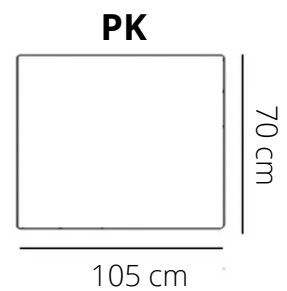
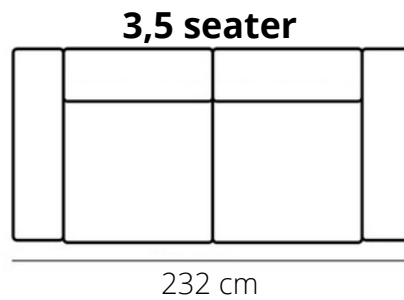
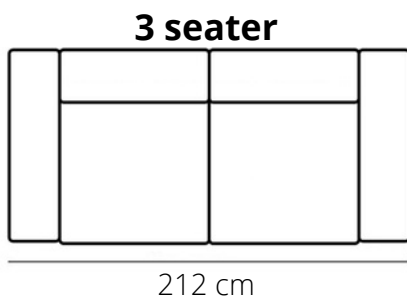


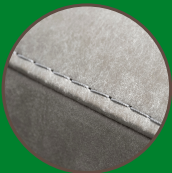
# BLUES



## ELEMENTS



## STITCHING



flat seam

## LEGS



**NNE**  
black or alu

**HEIGHT: 85 cm**  
**DEPTH: 102 cm**  
**SEAT DEPTH: 57 cm**  
**SEAT HEIGHT: 46 cm**

## PRODUCT INFO

### FRAME



pine wood

### FILLING



feathers mixed with  
siliconized fibre

### SUSPENSION

### BACK



feathers mixed with  
siliconized fibre

### SEAT



foam HR 40 no-sag springs

